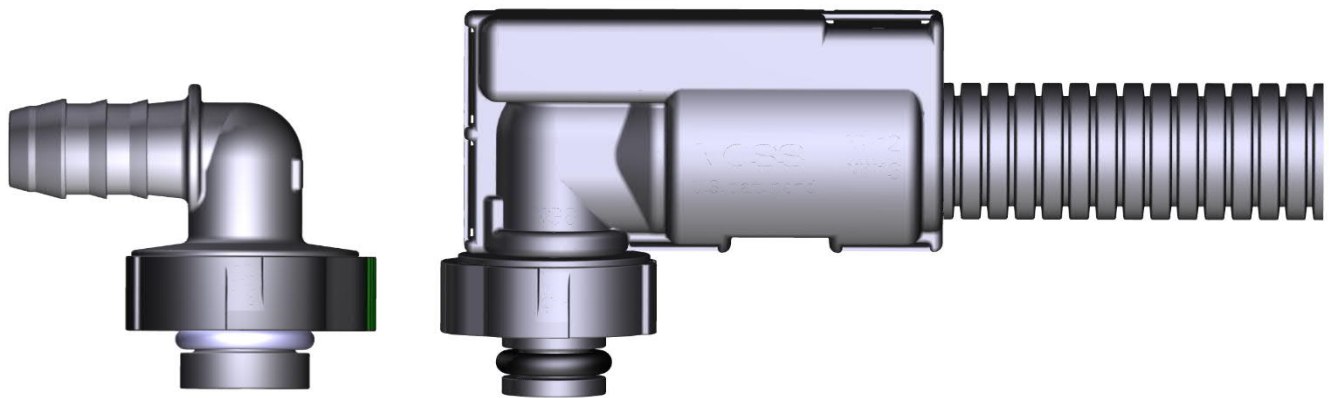


## Product information quick connect system 246 <sup>NX</sup>

Plastic quick connections for special connection profiles, for polyamide tubes in SCR, fuel, fuel cell and cooling systems; electrically heated for AdBlue<sup>®</sup> and water injection systems

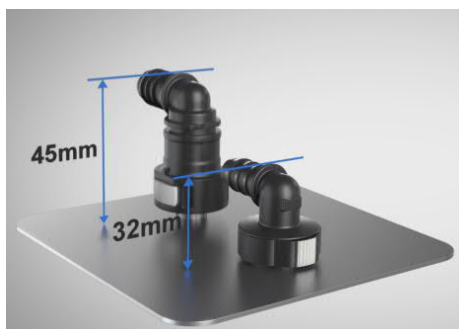
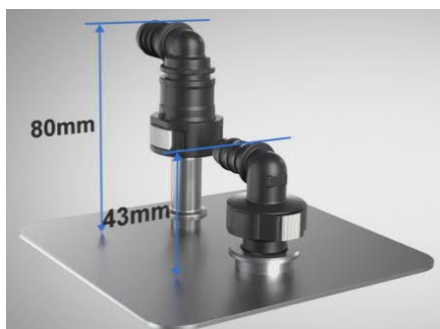
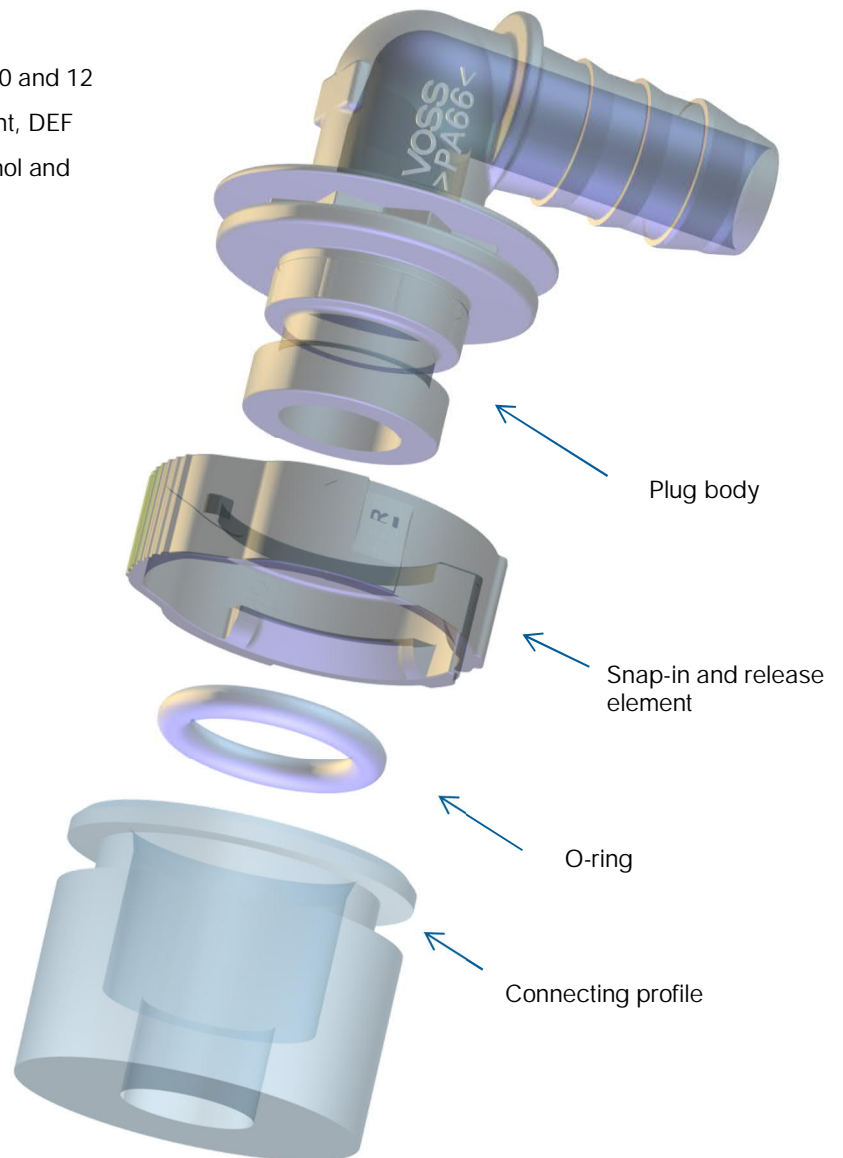


- Quick and safe assembly and disassembly
- Connecting port profile identical to previous 246 system variants
- High positive engagement of release clip to connecting profile allows higher pressures
- Very low system heights
- Color coding on release clip indicates different fir-tree/tube sizes
- Release mechanism can be rotated into eight different positions for easy access

Connecting, positioning and releasing in a convenient way

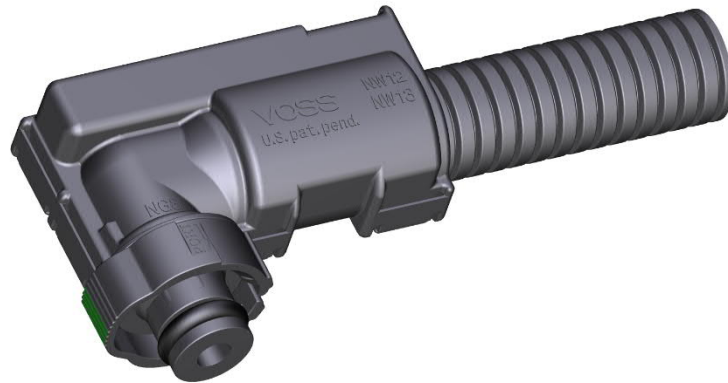
## VOSS quick connect system 246<sup>NX</sup> unheated

- For the connection of polyamide tubes and hoses
- Plastic straight and elbow plugs
- Nominal size 8 with nominal widths 6 and 8  
Nominal size 12 with nominal widths 6, 9, 10 and 12
- With one O-ring for diesel, biodiesel, coolant, DEF
- Version with two O-rings for gasoline, ethanol and hydrogen upon request
- ESD version upon request
- Operating pressure 10 bar
- Temperature range -40 °C to +100/120 °C
- Connecting profile made of nylon or metal materials
- Line assemblies
- Integrated flow-stop valves
- Comprehensive range of plugs, adapters, manifolds and inline connectors available



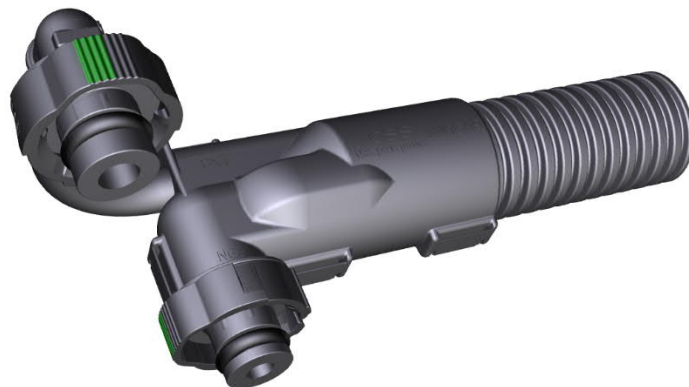
Comparison: VOSS quick connect system 246<sup>NX</sup> NS12 and SAE 11.8

## VOSS quick connect system 246<sup>NX</sup> electrically heated



- Safe and efficient thawing performance
- Connection of tube and connector with laser welding
- For 12- and 24-Volt-Systems, also for PWM-regulation
- Integration of sensors
- Nominal size 8 for different tube sizes and EPDM hoses ID 3.2 mm; further sizes available upon request
- Range of use -40 °C to +120 °C
- Operating pressure max 10 bar

## VOSS quick connect system 246<sup>NX</sup> coolant heated



- Coolant line fixed close to AdBlue® (DEF) line inside the cap
- AdBlue® (DEF) is thawing quickly due to the complete chambering up top plug
- Compact and robust design
- Excellent thawing performance

